

BOTTLE SKIPS

135-185L

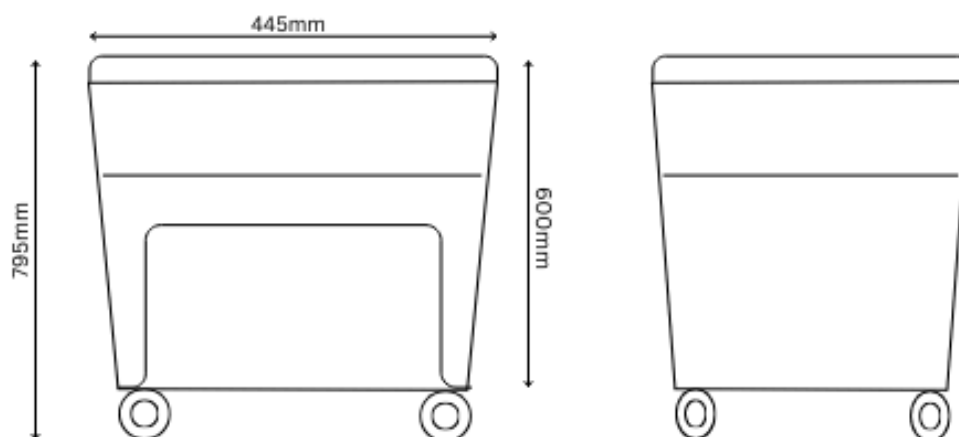
130-185L
Capacity

Manufactured from 100% Recycled
Polyethylene

Fully mobile on castor
wheels



TECHNICAL SPECIFICATIONS



BOTTLE SKIPS

130-185L

FEATURES

- Manufactured from recycled polyethylene and designed to provide years of continuous use with the minimal amount of maintenance.
- Suitable for use both indoors and out, they can withstand temperatures ranging from -20°C to +60°C, and they are fully mobile on 4 swivel castor wheels. Available in 4 different sizes to complement every business, these 100% Recycled Bottle Skips are a great investment for any workplace where bottles are collected on a daily basis.

Specifications

- Manufactured from 100% Recycled Polyethylene.
- Available in four sizes.
- Tapered design for easy storage.
- Fully mobile on castor wheels.
- Easy to clean.

SIZES: L x W x H mm

- 135 Litre - 650 x 460 x 660.
- 150 Litre - 615 x 455 x 750.
- 165 Litre - 820 x 455 x 620.
- 185 Litre - 670 x 615 x 620.

